

MWF201 Series

1- Port RS232/485/422 to Fiber Converter



- 1xRS232/485/422 port to 1x100Base-FX port
- Support RS232/485/422 serial port conversion and provide long-distance communication up to 100km
- Support transparent transmission, baud rate adaptive from 300bps to 115200bps
- Built-in intelligent module automatically identifies RS485 signal flow direction
- Support one master and multiple slaves communication mode, RS485 supports 128 nodes
- Support electrostatic protection and surge protection
- Industrial grade design, preferred imported components, surface mount process design





Product Description

MWF201 series serial to fiber converter is designed to realize long-distance transmission of 1 RS232/485/422 serial port through optical fiber for industrial sites. This product has the characteristics of RS485/422 supporting multi-machine communication and convenient networking. At the same time, due to the use of fiber as the transmission medium, it has the advantages of high isolation voltage, anti-electromagnetic interference, and anti-lightning strike. In order to facilitate remote data communication between computers, external devices or intelligent instruments equipped with different standard serial interfaces, standard serial interfaces must be converted to each other.

MWF201 series converters have zero-delay automatic transceiver conversion inside. The unique I/O circuit automatically controls the direction of data flow without any handshake signals (such as RTS, DTR, etc.), ensuring that it is suitable for existing operating software and interface hardware to solve the contradiction between long communication distance, high communication speed, and numerous and dispersed nodes. It also solves the problems of electromagnetic interference, ground ring interference, and lightning damage, greatly improving the reliability, security, and confidentiality of data communication.

MWF201 series adopt a wide range of DC or AC power input. In terms of structural installation, MWF201 series products adopt wall-mounted or rail-mounted installation methods; in terms of core components, the product adopts an industrial-grade quality design solution with a transmission rate of 300bps to 115200bps, which can realize communication between main control machines. It forms a point-to-point or point-to-multipoint remote multi-machine communication network with a microcontroller or peripherals to realize multi-machine response communication. The product is widely used in industrial automation control systems, all-in-one cards, access control systems, parking systems, and self-service banking systems, bus toll collection system, canteen sales system, company employee attendance management system, highway toll station system, etc.

☑☑= Specification

Model				
Model	MWF201-F	MWF201-F-G	MWF201-F-KG	MWE201-F-KG-AD220
Interface				
Serial Port	Interface type: 1*RS232/485/422 Baud rate: 300bps~115200bps Connection method: terminal block (RS232 port for MWF201-F is in DB9F) Node: RS485 supports 128 nodes Direction control: Automatically identify RS485 flow direction Interface protection: ESD level 4, surge level 3			
Fiber Port	Interface type: 1*fiber port, ST/SC/FC optional Transmission distance: multi-mode 2km, single-mode 20km (40/60/100km optional) Transmission wavelength: multi-mode 850nm/1310nm or single-mode 1310nm/1550nm optional Fiber type: multi-mode fiber 62.5/125μm or 50/125μm, single-mode fiber 9/125μm Optical power and sensitivity: ≥-8dBm, ≤-20dBm (refer to different types of optical modules for details) Bit error rate: ≤10 ⁻⁹			
Status LED	Power indicator, operation indicator (MWF201-F only), serial port transceiver indicator			
Power Supply				
Input Voltage	DC9~36V	DC5~30V	DC5~36V	AC85~264V/DC110~370V
Working Current	< 20mA	< 20mA	< 20mA	< 5mA
Connection	Terminal blocks			
Physical Characteristics				
Dimensions	96x90x26 mm	103x72x34 mm	118x86x35 mm	108x124x34 mm
Installations	Wall mount	Easy installation on 35mm DIN rails		
Weight	About 0.25kg	About 84g	About .38kg	About 0.27kg
Working Environment				
Operating Temp	-40°C~+85°C	-20°C~+75°C	-40°C~+85°C	-20°C~+70°C
Storage Temp	-40°C~+85°C			

Specification

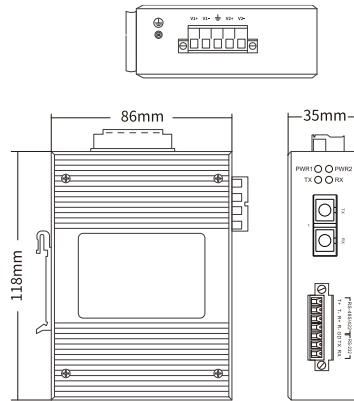
Relative Humidity	5%~95% (non-condensing)
Industry Standard	
Certification	CE, FCC, RoHS



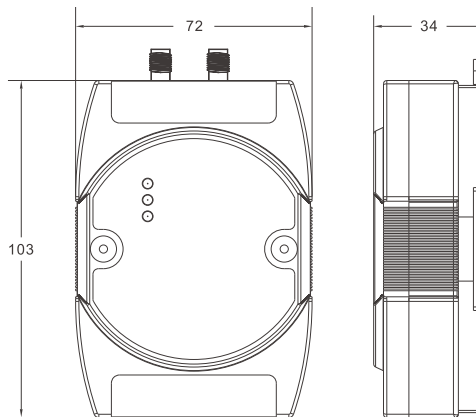
Dimensions

Unit: mm

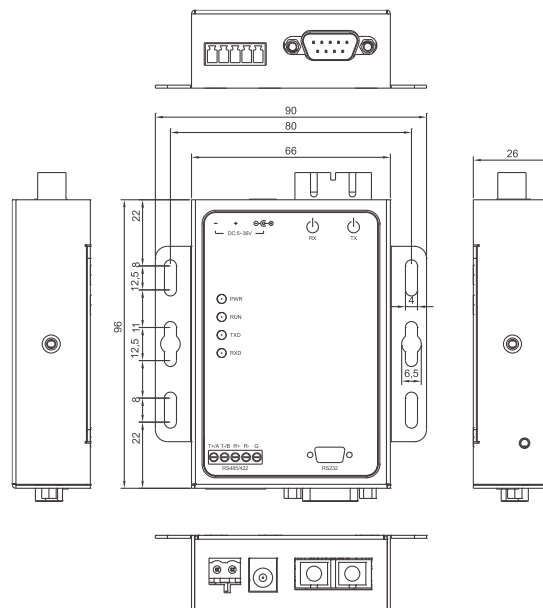
MWF201-F-KG



MWF201-F-G



MWF201-F





Ordering Information

Standard Model	RS232/485/422 Port	Fiber Port	Installations	Input Voltage
MWF201-F(M/S)	1	1	Wall mount (metal shell)	DC9~36V
MWF201-F(M/S)-G	1	1	DIN rail (Adam Shell)	DC5~30V
MWF201-F(M/S)-K	1	1	Plug-in card	DC5V
MWF201-F(M/S)-KG	1	1	DIN rail (metal shell)	DC5~36V
MWF201-F(M/S)-KG-AD220	1	1	DIN rail (metal shell)	AC85~265V/ DC110~370V



Contact Us

Wuhan Maiwe Communication Co., Ltd

Address: No.52 Liufang Avenue, East lake High-tech Development Zone, Wuhan, China.

Tel: 027 8717 0217

Mail: enquiry@maiwe.com

Official site: www.maiwe.com

Copyright © Maiwe Communication All rights reserved