

MWE814

USB to 4*RS232 Serial Port Converter



- Support 1 USB to 4 RS232Serial Port
- Comply with USB2.0 standard, support hot swap, USB interface powered
- Support 0~115200bps baud rate
- Support serial port protection circuit, with anti-static, anti-lightning, and surge suppression functions
- Support 15kV electrostatic protection and 600W/ms lightning protection
- -40°C~+85°C working temperature



Product Description

MWE814 is a USB to 4 RS232 interface converter that can realize bidirectional data conversion between USB and RS232 without additional power supply. This product supports Linux v2.4, Windows98/2000/XP/2003 and Mac OS8/9 and other operating systems, provides supporting drivers. It can expand 1 USB interface to 4 RS232 serial ports, and uses a unique serial port protection circuit with anti-static, anti-lightning and surge suppression functions. The hardware adopts a fanless, low power consumption, wide temperature design, has good high and low temperature resistance, and can operate stably in a temperature environment of -40°C~+85°C. It can be widely used for attendance, access control, PTZ control, and food sales. and in indoor and outdoor systems such as parking lots.

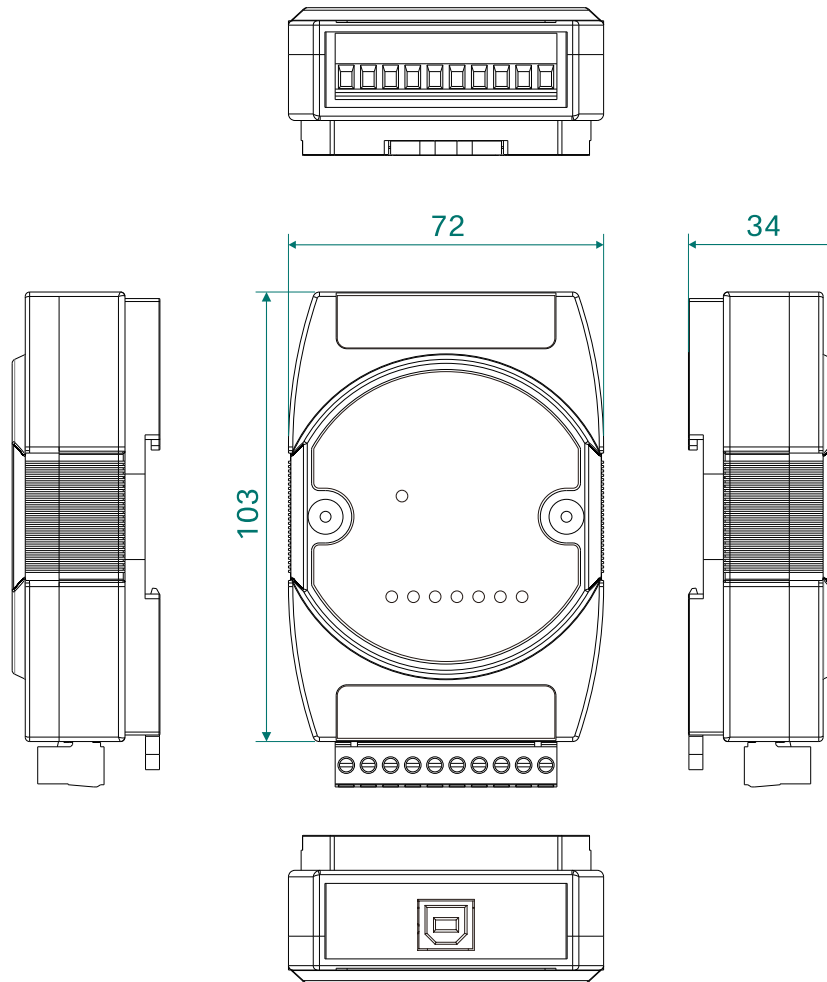
Specification

Interface	
USB	Standard: Comply with USB2.0 standard Number of interfaces: 1 USB2.0 Connection method: Type-B USB (Female) Operating system: Linux v2.4 and above, WIN98/ 2000/ XP/ 2003, Mac OS8/9
Serial Port	Standard: Complies with EIA RS232 standard Number of interfaces: 4 RS232 RS232 signal: TX, RX, GND Baudrate: 0~115200bps Communication Distance: 15m (9600bps), the higher the rate, the shorter the distance Connection method: 10-pin 5.08mm pitch terminal block Interface protection: 15kV electrostatic protection, 600W/ms lightning protection
Status LED	Power indicator Serial port sending data indicator Serial port receiving data indicator light
Power Supply	
Input Voltage	USB interface powered
Working Current	<2W
Physical Characteristics	
Dimensions	103×72×34mm (DIN rails mounting clips excluded)
Installations	Easy installation on 35mm DIN rails
Weight	About 0.1kg
Working Environment	
Operating Temp	-40℃~+85℃
Storage Temp	-40℃~+85℃
Relative Humidity	5%~95% (non-condensing)
Industrial Standard	
Certification	CE, FCC, RoHS



Dimensions

Unit:mm



Ordering Information

Standard Model	USB	RS232	Power Supply
MWE814	1	4	USB



Contact Us

Wuhan Maiwe Communication Co., Ltd

Address: No.52 Liufang Avenue, East lake High-tech Development Zone, Wuhan, China.

Tel: 027-87170217

Mail: enquiry@maiwe.com

Official site: www.maiwe.com

Copyright © Maiwe Communication All rights reserved.