

MWE485-YGM

RS485/422 Three-Terminal Isolated Repeater



- Support RS485/422 serial port signal isolation and amplification, extending transmission distance
- Support RS485 and RS422 interface conversion
- Support 300bps~115200bps baud rate
- Support automatic identification of RS485 data flow direction and automatic forwarding with zero delay
- Support 15kV electrostatic protection, 600W/ms lightning protection
- Support 2 serial port and power supply three-terminal isolation, 2.5kV photoelectric isolation protection
- Support 128-node multi-machine communication
- Support DC5V or DC9~30V
- -40 °C~+85°C working temperature



Product Description

MWE485-YGM three-terminal isolation high-speed isolation repeater can amplify the RS485/422 serial port signal, extend the transmission distance of serial port and the number of network terminals. The longest relay distance can reach 1.2km and serial port complies with the EIA/TIA RS485 and RS422 standards. It has the capable of providing isolation protection up to 2500Vrms, anti-static and lightning protection, which can improve the reliability and stability of the communication system. It supports point-to-multipoint and can connect up to 128 RS485/422 terminal devices. It uses I/O circuits to automatically control the direction of data flow, eliminating the need for handshake signal jumper settings and ensuring compliance with existing communication software and interface hardware. The hardware adopts low power consumption and wide temperature design, and has high and low temperature resistance. It can operate stably in a temperature environment of -40°C~+85°C. It can be widely used in motors, transformers, relays and other equipment or may damage during lightning.

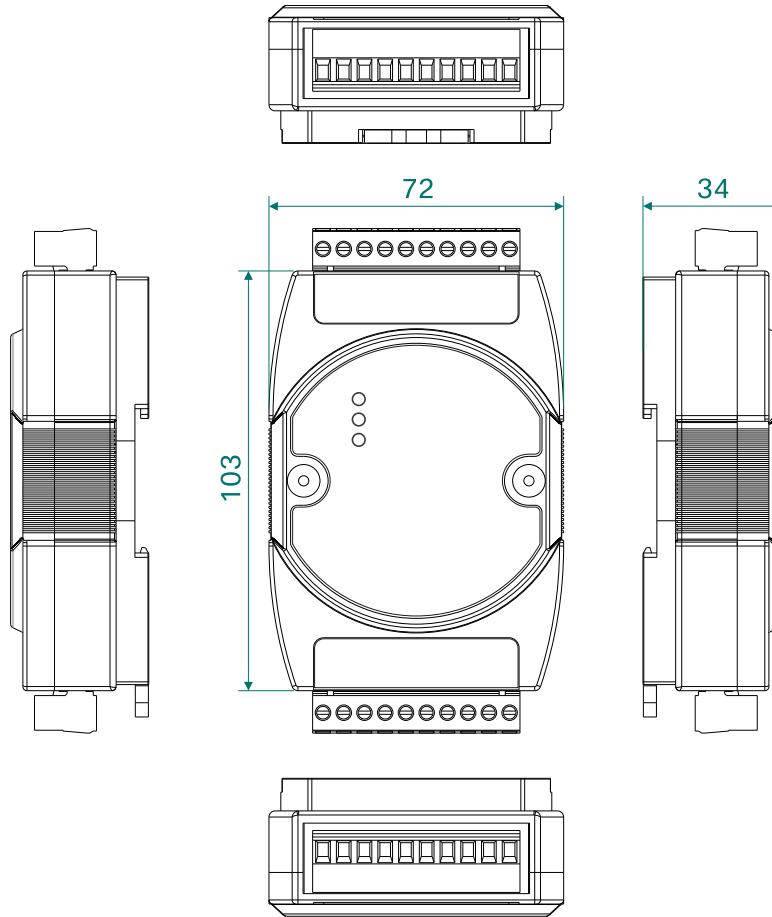
☑☑☑ Specification

Interface	
Serial Port	Standard: Comply with EIA RS485, RS422 standards Number of interfaces: 1 RS485/422 to 1 RS485/422 RS485/422 signal: A+/TX+, B-/TX-, GND, RX+, RX- Baud rate: 300bps~115200bps Load capacity: supports 128 node polling Communication Distance: The relay distance is greater than 1.2km (19200bps) Connection method: 10-pin5.08mm pitch terminal block Interface protection: 15kVElectrostatic Protection, 600W/ms lightning protection Photoelectric isolation: 2.5kV
Status LED	Power indicator Serial port sending data indicator Serial port receiving data indicator
Power Supply	
Input Voltage	DC5Vor DC9~30V with isolation
Working Current	<20mA
Connection	10-pin 5.08mm pitch terminal block, -pin for power supply
Physical Characteristics	
Dimensions	103×72×34mm (DIN rail mounting clip excluded)
Installations	Easy installation on 35mm DIN rails
Weight	About 82g
Working Environment	
Operating Temp	-40℃~+85℃
Storage Temp	-40℃~+85℃
Relative Humidity	5%~95%(non-condensing)
Industrial Standard	
Certification	CE, FCC, RoHS



Dimensions

Unit:mm



Ordering Information

Standard Model	Conversion Mode	Transmission Rate	Isolation Protection	Power Supply
MWE485-YGM	RS485/422 to RS485/422	300bps~115200bps	3-terminal isolation	DC5V or DC9~30V



Contact Us

Wuhan Maiwe Communication Co., Ltd

Address: No.52 Liufang Avenue, East lake High-tech Development Zone, Wuhan, China.

Tel: 027-87170217

Mail: enquiry@maiwe.com

Official site: www.maiwe.com

Copyright © Maiwe Communication All rights reserved.