

# MWE485-YG

## RS485/422 Signal Isolation Repeater



- Support RS485/422 serial port signal isolation and amplification, extending transmission distance
- Support RS485 and RS422 interface conversion
- Support 300bps~115200bps baud rate
- Support automatic identification of RS485 data flow direction and automatic forwarding with zero delay
- Support 15kV electrostatic protection, 600W/ms lightning protection and 2.5kV photoelectric isolation protection
- Support 128-node terminal device communication
- Support DC5V or DC9~30V Input Voltage
- Support wide operating temperature -40°C~+85°C



### Product Description

The MWE485-YG isolation repeater can amplify the RS485/422 serial port signal, extend the transmission distance of the serial port and the number of network terminals. The longest relay distance can reach 1.2km. The serial port complies with the EIA/TIA RS485 and RS422 standards and can provides isolation protection up to 2500Vrms, anti-static and lightning protection, which can improve the reliability and stability of the communication system. It supports point-to-multipoint and can connect up to 128 RS485/422 terminal devices. It uses I/O circuits to automatically control the direction of data flow, eliminating the need for handshake signal jumper settings and ensuring compliance with existing communication software and interface hardware. The hardware adopts low power consumption and wide temperature design, and has high and low temperature resistance. It can operate stably in a temperature environment of -40°C~+85°C. It can be widely used in motors, transformers, relays and other equipment or may be damaged during lightning. Scenarios that produce very high amplitude transient interference.

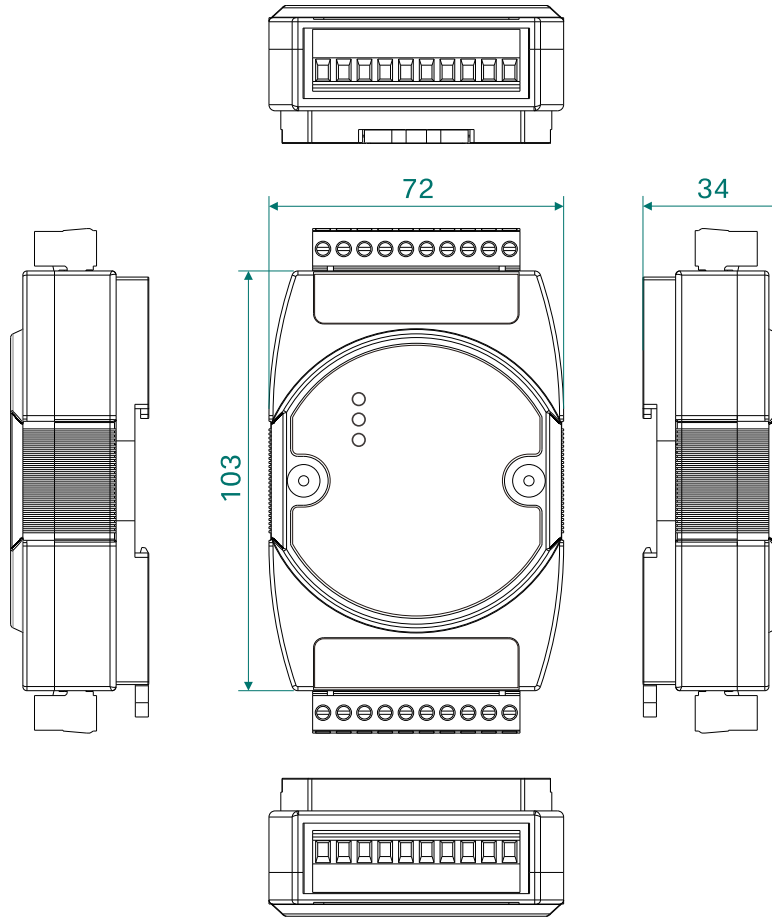
 Specification

Interface	
Serial Port	Standard: Comply with EIA RS485, RS422 standards Number of interfaces: 1 RS485/422 to 1 RS485/422 RS485/422 signal: A+/TX+, B-/TX-, GND, RX+, RX- Baudrate: 300bps~115200bps Load capacity: supports 128 nodes polling Communication Distance: The relay distance is greater than 1.2km (19200bps) Connection method: 10-position 5.08mm pitch terminal block Interface protection: 15kVElectrostatic Protection, 600W/ms lightning protection Photoelectric isolation:2.5kV
Status LED	Power indicator Serial port sending data indicator Serial port receiving data indicator
Power Supply	
Input Voltage	DC5V or DC9~30V
Working Current	<20mA
Connection	10-pin 5.08mm pitch terminal block, 3-pin for power supply
Physical Characteristics	
Dimensions	103×72×34mm (DIN rail mounting clip excluded)
Installations	Easy installation on 35mm DIN rail
Weight	About 82g
Working Environment	
Operating Temperature	-40℃~+85℃
Storage Temperature	-40℃~+85℃
Relative Humidity	5%~95%(non-condensing)
Industrial Standard	
Certification	CE, FCC, RoHS



## Dimensions

Unit:mm



## Ordering Information

Standard Model	Conversion Mode	Transmission Rate	Isolation Protection	Power Supply
MWE485-YG	RS485/422 to RS485/422	300bps~115200bps	Included	DC5V or DC9~30V



## Contact Us

### **Wuhan Maiwe Communication Co., Ltd**

Address: No.52 Liufang Avenue, East lake High-tech Development Zone, Wuhan, China.

Tel: 027-87170217

Mail: enquiry@maiwe.com

Official site: www.maiwe.com

Copyright © Maiwe Communication All rights reserved.