

# MIEN3206GP-2GF-4GTPoE

## 6-Port Layer 2 Gigabit DIN-rail Unmanaged POE Industrial Ethernet Switch



- Support 2 Gigabit SFP ports and 4 Gigabit PoE copper ports, providing users with flexible networking methods
- Compliant with IEEE802.3at standard, compatible with IEEE802.3af, maximum output power of single port PoE is 30W
- The fiber port supports multiple types of SFP modules, and the copper ports support 10/100/1000Base-T(X) auto-sensing, full/half duplex, auto MDI/MDI-X
- Support dual redundant DC48~52V power input
- High strength aluminum alloy shell, IP40 protection, fanless design
- -40 °C ~ +75 °C working temperature



### Product Descriptions

MIEN3206GP-2GF-4GTPoE layer 2 Gigabit PoE industrial Ethernet switch supports 2 Gigabit SFP ports and 4 Gigabit PoE copper ports. It is applicable and supplying 48V power to power receiving devices that comply with the IEEE802.3af/at standard. It features with industrial grade components, standard din-rail installation, high strength aluminum alloy shell, fanless efficient heat dissipation, -40°C ~ + 75°C wide temperature and high standard industrial protection design, which can adapt to various harsh working environment, stable communication performance. It can be widely used in fields such as comprehensive energy, smart cities, rail transit, intelligent transportation, smart factories, and industrial automation.



## Specification

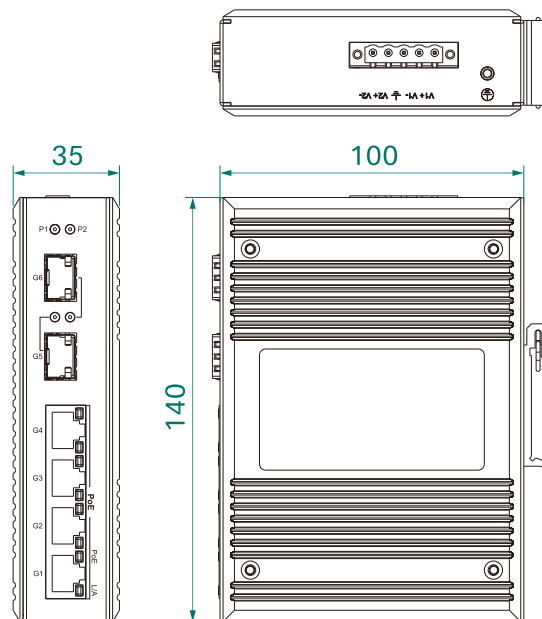
Switch capability	
Backplane Bandwidth	14G
Buffer Size	2Mbit
Mac Address Table	2K
Interface	
Gigabit Fiber Port	2x1000Base-X Gigabit SFP ports
Gigabit PoE Copper Port	4x10/100/1000Base-T(X) auto-sensing RJ45 PoE ports, full/half duplex and auto MDI/MDI-X connection PoE/PoE+ complies with IEEE802.3af/at standard, with maximum single port POE output 30W
Status LED	Power LED, port LED, PoE LED
Power	
Power Input	DC48~52V, dual power redundancy, anti reverse connection
Full Load Power	<3.5W@DC48V(No PoE device)
Connection	5.08mm pitch 5-pin terminal block
Physical Characteristics	
Dimensions	140×35×100mm (DIN rail mounting clip excluded)
Installations	35mm standard DIN-rail installation
IP Code	IP40
Weight	About 0.5kg
Working Environment	
Operating Temperature	-40℃~+75℃
Storage Temperature	-40℃~+85℃
Relative Humidity	5%~95% (non-condensing)

## ☑☑☑ Specification

Industry Standard	
EMC	IEC 61000-4-2 (ESD): Level 4 IEC 61000-4-5 (Surge): Level 4 *The network ports support 4kV lightning protection IEC 61000-4-4 (EFT): Level 4
Certification	CE, FCC, RoHS

## ☑☑☑ Dimensions

Unit:mm





## Ordering Information

Standard Model	Gigabit Fiber Port	Gigabit PoE Copper Port	Input Voltage
MIEN3206GP-2GF-4GTPoE	2	4	Dual DC48~52V power input

s



## Contact Us

### Wuhan Maiwe Communication Co., Ltd

Address: No.52 Liufang Avenue, East lake High-tech Development Zone, Wuhan, China.

Tel: 027-87170217

Mail: enquiry@maiwe.com

Official site: www.maiwe.com

Copyright © Maiwe Communication All rights reserved